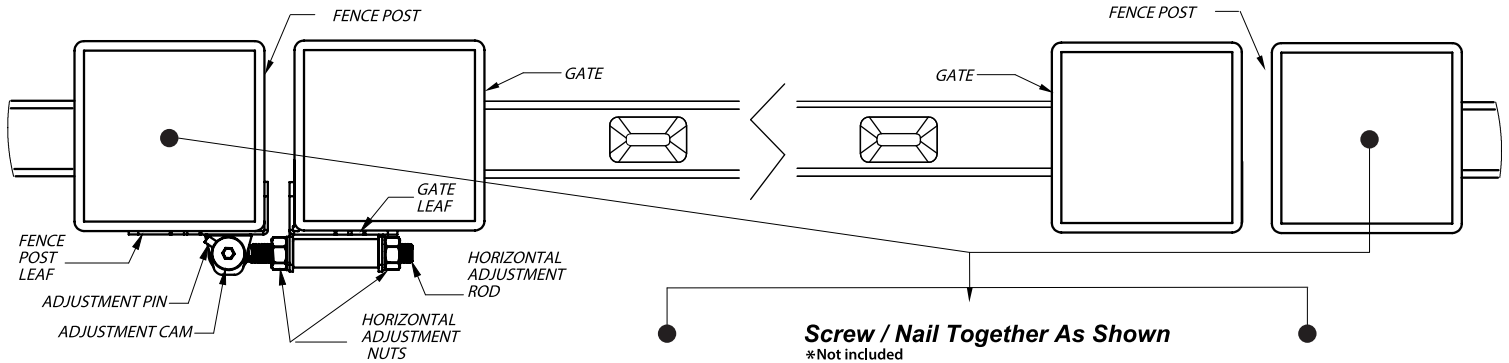


### INSTALLATION, ADJUSTMENT AND MAINTENANCE INSTRUCTIONS

#### Installation Instructions

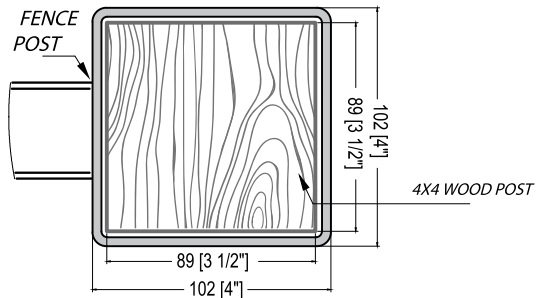
The hinges should be mounted as shown with the supplied screws.

Pre-drill the screw holes if the gate or fence post has a other support. The **fence post leaf** should be mounted so that the **adjustment cam** and the **horizontal adjustment rod** are located on the outer surface of the **fence post** and **gate** when the **gate** is in the closed position. The top surface of the **upper hinge** should be within 6 inches of the top surface of the **gate** and the lower surface of the **lower hinge** should be within 6 inches of the lower surface of the **gate**. In applications where additional hinges are used, they should be evenly spaced between the **upper hinge** and **lower hinge**.



**Screw / Nail Together As Shown**

*\*Not included*

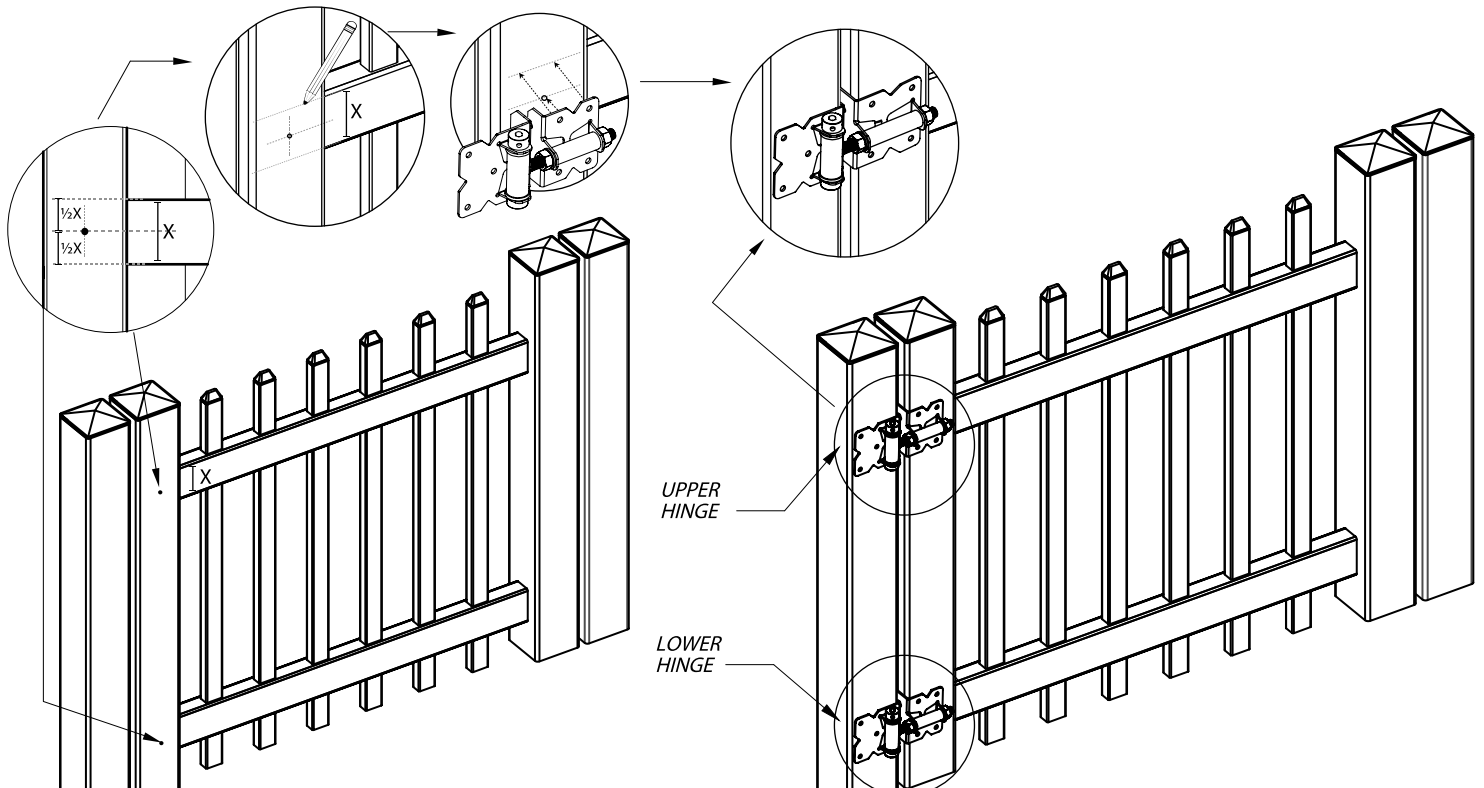


Pay to mark your property line.

- Being proactive will save you time and money from any disputes from neighbors.

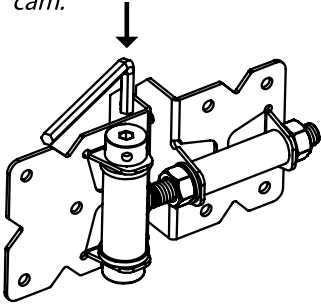
**Gate posts** require an **internal support** system for weight - bearing purposes and therefore wooden inserts is required.

Post Spacing will be determined by gate width and hardware

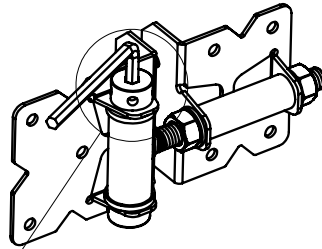


## SPRING TENSION ADJUSTMENT AND MAINTENANCE

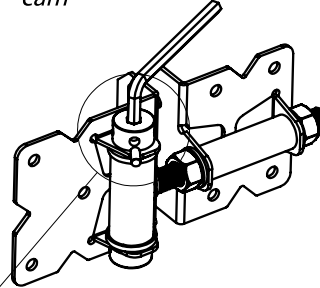
Insert supplied hex wrench into adjustment cam.



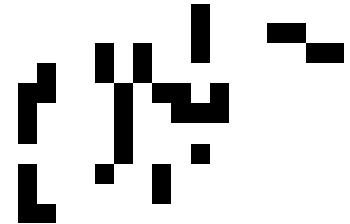
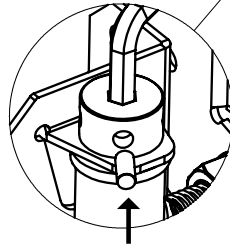
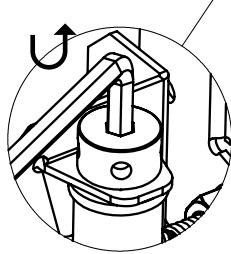
Rotate the hex wrench counter-clockwise.



Insert adjustment pin into hole in adjustment cam



Carefully rotate the adjustment cam clockwise until the adjustment pin contacts the fence post leaf. Remove the hex wrench. Repeat until gate closes firmly. Do not adjust more than 1-1/2 turns from neutral.



The hinges should be inspected annually or more frequently if the gate is used often. Spring tension adjustments should be made as needed. If needed, the spring can be lubricated with an oil based lubricant applied to the cam and barrel portion of the hinge.

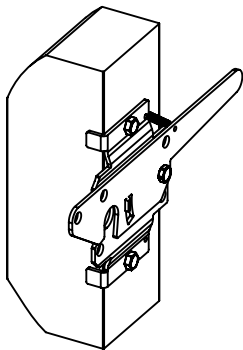
## WI-SPLL Stainless Post Latch Lock

### INSTALLATION, ADJUSTMENT AND MAINTENANCE INSTRUCTIONS

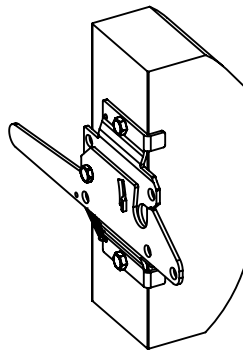
PLEASE CAREFULLY READ ALL OF THE INSTRUCTIONS PRIOR TO INSTALLATION

The Post Latch is designed to fit both right-handed and left-handed gate applications. This can be accomplished in one of two ways:

- 1) The first way is to simply position the latch to the fence post (FIG 1) per the required application, and follow the mounting instruction steps 1 thru 3.
- 2) The second way is to begin by removing the pivot screw and spring. Reverse the latch plate and re-install the pivot screw. Re-attach the spring to the top side of the latch as shown (FIG 2) and follow the mounting instruction steps 1 thru 3.

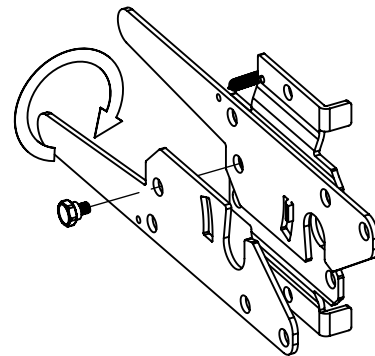


LEFT HAND APPLICATION



RIGHT HAND APPLICATION

FIG 1



RIGHT HAND APPLICATION

FIG 2

## STEP-1

Locate the desired mounting height for the latch on the fence post, mark the centerpoints of the the 2 mounting holes, and drill appropriate pilot holes for mounting screws. Realign latch and attach to post with the supplied lag screws (FIG 3).

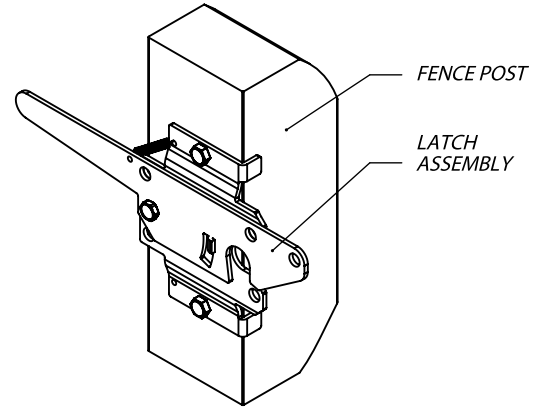


FIG 3

## STEP-2

After installing the latch assembly, position and attach the Striker Rod to the gate. With the gate closed, position the striker with the Striker Rod secured in the latch assembly (FIG 4), and mark center points for mountingholes. Drill appropriate pilot holes and attach striker rod.

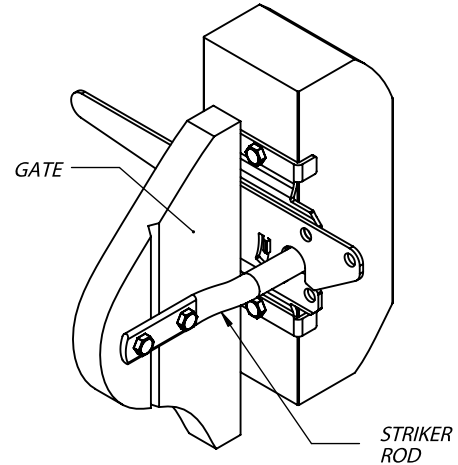


FIG 4

## STEP-3

After installation, TEST the locking and unlocking of the latch.

